

Bevestigingsmateriaal



Sprinklerbeugels, ophangstroppen en accessoires



Type FIR

Uit een deel gemaakt
Snel sluitend onderdeel
Eenvoudig in hoogte verstelbaar
Afwerking Dacromet
Verkrijgbaar van 3/4" tot 6"



Type FCN

Uit een stuk gemaakt
Op draadeind bevestigen
Eenvoudig in hoogte verstelbaar
Verkrijgbaar van 1/2" tot 8"



Type EPB

Uit een stuk gemaakt
Op draadeind bevestigen
Eenvoudig in hoogte verstelbaar
Verkrijgbaar van 1/2" tot 8"



Type FCS

Uit een stuk gemaakt
Op draadeind bevestigen
Eenvoudig in hoogte verstelbaar
Verkrijgbaar van 1/2" tot 8"



Type Clevis
Hanger

Op draadeind bevestigen; makkelijk in hoogte verstelbaar
Tot 9 ton draagbelasting mogelijk
Verkrijgbaar van 2 1/2" tot 8"



Technische Data

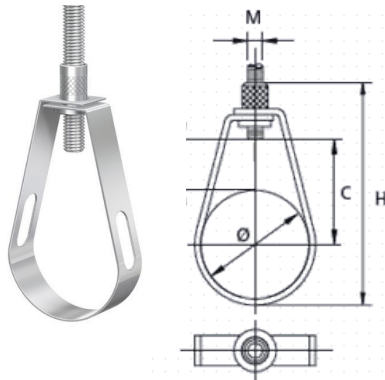


Sprinkler beugel - type FIR -

| DN | in " | in mm | Ø draad | Gewicht kg | |
|-----|--------|---------|---------|------------|------------|
| | | | | /m | Aantal/zak |
| 20 | 3/4" | 25-28 | M10 | 110 | 100 |
| 25 | 1" | 34-35 | M10 | 110 | 100 |
| 32 | 1 1/4" | 42-45 | M10 | 110 | 100 |
| 40 | 1 1/2" | 48-51 | M10 | 110 | 50 |
| 50 | 2" | 57-60 | M10 | 110 | 25 |
| 65 | 2 1/2" | 70-76 | M10 | 125 | 25 |
| 80 | 3" | 83-90 | M10 | 155 | 25 |
| 100 | 4" | 108-114 | M10 | 190 | 25 |
| 125 | 5" | 140 | M12 | 250 | 25 |
| 150 | 6" | 165-168 | M12 | 330 | 25 |

Technische Data

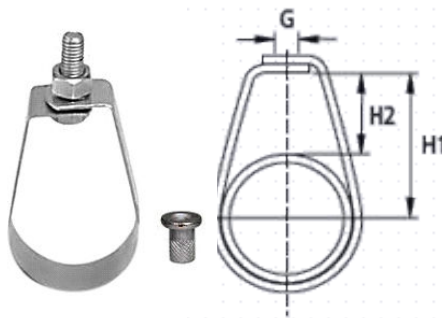
Sprinkler beugel - type FCN -



| DN | in " | A in mm | C in mm | H in mm | Ø draad | Aantal/zak |
|-----|--------|---------|---------|---------|---------|------------|
| 15 | 1/2" | 29 | 40 | 81 | M10 | 100 |
| 20 | 3/4" | 23 | 37 | 81 | M10 | 100 |
| 25 | 1" | 18 | 35 | 83 | M10 | 100 |
| 32 | 1 1/4" | 21 | 42 | 94 | M10 | 100 |
| 40 | 1 1/2" | 24 | 54 | 109 | M10 | 50 |
| 50 | 2" | 25 | 55 | 116 | M10 | 25 |
| 65 | 2 1/2" | 31 | 69 | 44 | M10 | 25 |
| 80 | 3" | 38 | 82 | 158 | M10 | 25 |
| 100 | 4" | 42 | 99 | 189 | M10 | 25 |
| 125 | 5" | 43 | 110 | 222 | M12 | 25 |
| 150 | 6" | 85 | 169 | 292 | M12 | 25 |
| 200 | 8" | 65 | 174 | 328 | M12 | 25 |

Technische Data

Sprinkler beugel - type EPB -



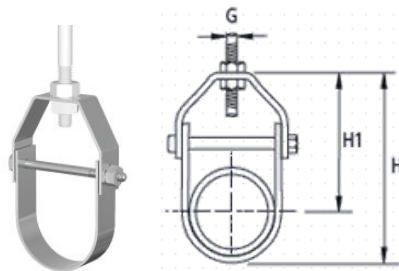
| DN | in " | ∅ G | H1 in mm | H2 in mm | Aantal/zak |
|-----|--------|-----------|----------|----------|------------|
| 15 | 1/2" | M8 of M10 | 35 | 20 | 50 |
| 20 | 3/4" | M8 of M10 | 35 | 20 | 50 |
| 25 | 1" | M8 of M10 | 43 | 26 | 50 |
| 32 | 1 1/4" | M8 of M10 | 50 | 30 | 50 |
| 40 | 1 1/2" | M8 of M10 | 60 | 35 | 50 |
| 50 | 2" | M8 of M10 | 60 | 30 | 50 |
| 65 | 2 1/2" | M10 | 81 | 33 | 25 |
| 80 | 3" | M10 | 85 | 40 | 25 |
| 100 | 4" | M10 | 113 | 56 | 25 |
| 125 | 5" | M12 | 123 | 58 | 25 |
| 150 | 6" | M12 | 145 | 60 | 25 |
| 200 | 8" | M16 | 200 | 90 | 10 |

Technische Data

Sprinkler beugel - type FCS -

| DN | in " | ∅ G | Aantal/zak |
|-----|--------|-----------|------------|
| 15 | 1/2" | M8 of M10 | 50 |
| 20 | 3/4" | M8 of M10 | 50 |
| 25 | 1" | M8 of M10 | 50 |
| 32 | 1 1/4" | M8 of M10 | 50 |
| 40 | 1 1/2" | M8 of M10 | 50 |
| 50 | 2" | M8 of M10 | 50 |
| 65 | 2 1/2" | M10 | 25 |
| 80 | 3" | M10 | 25 |
| 100 | 4" | M10 | 25 |
| 125 | 5" | M12 | 25 |
| 150 | 6" | M12 | 25 |
| 200 | 8" | M16 | 10 |
| 250 | 10" | M20 | 1 |

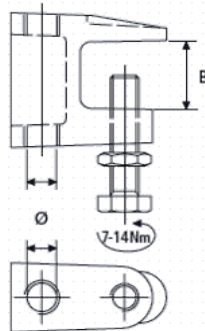
Technische Data



Sprinkler beugel - type Clevis Hanger -

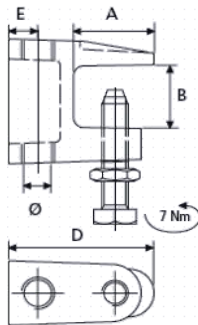
| DN | in " | ∅ G | H1 in mm | H2 in mm | Gewicht ton | Aantal/zak |
|-----|--------|-----|----------|----------|-------------|------------|
| 65 | 2 1/2" | 12 | 133 | 95 | 5,1 | 30 |
| 80 | 3" | 12 | 152 | 101,6 | 5,1 | 25 |
| 100 | 4" | 16 | 197 | 137 | 6,35 | 25 |
| 125 | 5" | 16 | 248 | 173 | 6.35 | 25 |
| 150 | 6" | 19 | 298 | 210 | 8,6 | 25 |
| 200 | 8" | 22 | 356 | 341 | 9,07 | 10 |

Technische Data



Balkklem - type TKN -

| ∅ M | B in mm | Aantal/zak |
|-------|---------|------------|
| 11 mm | 18 | 100 |
| M10 | 20 | 100 |
| 13 mm | 26 | 80 |
| M12 | 6 | 80 |
| 17 mm | 26 | 50 |

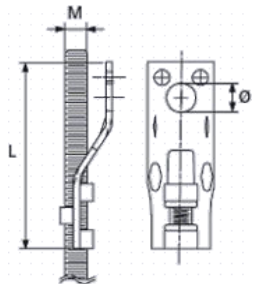


Balkklem - type BTK -

| ∅ M | A in mm | B in mm | D in mm | E in mm | Aantal/zak |
|-----|---------|---------|---------|---------|------------|
| M10 | 21,4 | 31,8 | 48,4 | 8,7 | 50 |
| M12 | 18,9 | 31,8 | 48,4 | 9,5 | 50 |

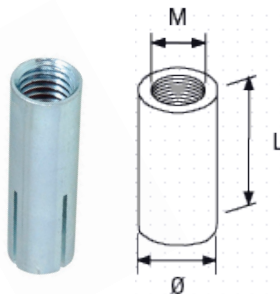


Technische Data



Oogfitting -type FSO -

| L in mm | ø in mm | ø M | Aantal/zak |
|---------|---------|-----|------------|
| 50 | 12,7 | M10 | 250 |



Inslaganker - type CA -

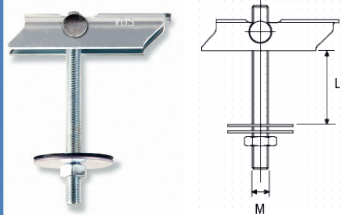
| ø draad | L in mm | M in mm | Aantal/zak |
|---------|---------|---------|------------|
| 8 | 30 | M6 | 100 |
| 10 | 30 | M8 | 100 |
| 12 | 40 | M10 | 50 |
| 15 | 50 | M12 | 50 |
| 20 | 65 | M16 | 50 |



Montage gereedschap voor inslaganker - type TCA/LA -

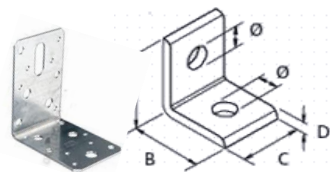
| M in mm | Aantal/zak |
|---------|------------|
| M6 | 1 |
| M8 | 1 |
| M10 | 1 |
| M12 | 1 |
| M16 | 1 |

Technische Data



Tuimelplug

| M in mm | L in mm | Aantal/zak |
|---------|---------|------------|
| M8 | 100 | 25 |
| M10 | 100 | 25 |



Hoekplaat -type SBA -

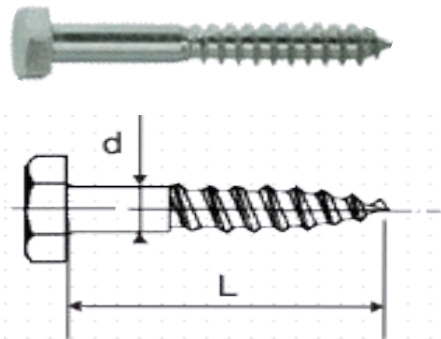
| A in mm | B in mm | C in mm | D in mm | ∅ G | Aantal/zak |
|---------|---------|---------|---------|-----|------------|
| 50 | 50 | 50 | 5 | 12 | 50 |
| 50 | 50 | 50 | 6 | 14 | 50 |
| 60 | 40 | 45 | 6 | 13 | 50 |



Muurplaat verzinkt

| M in mm | L in mm | B in mm | H in mm | Aantal/zak |
|---------|---------|---------|---------|------------|
| M8 | 80 | 30 | 3 | 100 |
| M8/M10 | 80 | 30 | 3 | 100 |
| M10 | 80 | 30 | 3 | 100 |
| M12 | 80 | 30 | 3 | 100 |
| M10 | 120 | 40 | 4 | 100 |
| M12 | 120 | 40 | 4 | 100 |
| M16 | 120 | 40 | 4 | 100 |
| 1/2" | 120 | 40 | 4 | 100 |
| 3/4" | 120 | 40 | 4 | 100 |

Technische Data



Houtdraadbout

| ∅ draad | Materiaal | Afmeting | Aantal/zak |
|---------|-----------|----------|------------|
| M6 | Verzinkt | 30 mm | 100 |
| M6 | Verzinkt | 40 mm | 100 |
| M6 | Verzinkt | 50 mm | 100 |
| M6 | Verzinkt | 60 mm | 100 |
| M6 | Verzinkt | 30 mm | 100 |
| M6 | Verzinkt | 40 mm | 100 |
| M6 | Verzinkt | 50 mm | 100 |
| M6 | Verzinkt | 60 mm | 100 |
| M6 | Verzinkt | 80 mm | 100 |
| M8 | Verzinkt | 80 mm | 100 |
| M8 | Verzinkt | 100 mm | 100 |
| M10 | Verzinkt | 30 mm | 100 |
| M10 | Verzinkt | 40 mm | 100 |
| M10 | Verzinkt | 50 mm | 100 |
| M10 | Verzinkt | 60 mm | 100 |
| M10 | Verzinkt | 80 mm | 100 |
| M10 | Verzinkt | 100 mm | 100 |

Technische Data

Draadeind Verzinkt



| ∅ draad | lengte in m | | Materiaal | Aantal/bundel |
|---------|-------------|--|-----------|---------------|
| | m | | | |
| M8 | 1000 | | Verzinkt | 50 |
| M8 | 2000 | | Verzinkt | 25 |
| M10 | 1000 | | Verzinkt | 25 |
| M12 | 1000 | | Verzinkt | 25 |

andere lengtes op aanvraag beschikbaar



Zeskant Moeren

| ∅ draad | Materiaal | Aantal/zak |
|---------|-----------|------------|
| M6 | Verzinkt | 100 |
| M8 | Verzinkt | 100 |
| M10 | Verzinkt | 100 |
| M12 | Verzinkt | 50 |

andere maten op aanvraag beschikbaar

Sluitringen

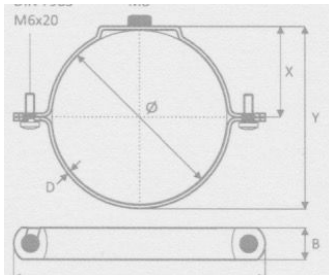


| ∅ draad | Materiaal | Afmeting | Aantal/zak |
|---------|-------------|-------------|------------|
| M6 | Verzinkt | 18 x 1,5 mm | 100 |
| M8 | Verzinkt | 25 x 2,0 mm | 100 |
| M10 | Verzinkt | 30 x 2,5 mm | 100 |
| M12 | Verzinkt | 40 x 3,0 mm | 100 |
| M6 | El Verzinkt | 25 x 1,5 mm | 100 |
| M8 | El Verzinkt | 28 x 1,5 mm | 100 |
| M10 | El Verzinkt | 32 x 1,5 mm | 100 |
| M12 | El Verzinkt | 37 x 2,0 mm | 100 |

andere maten op aanvraag beschikbaar

Technische Data

Universele Pijpbeugel electrolyt. verzinkt



| Ø Diameter | in " | BxD in mm | Y in mm | Ø draad | Gewicht kN | Aantal/zak |
|------------|--------|-----------|---------|-----------|------------|------------|
| 25 | 1" | 20 x 2,0 | 38 | M8 of M10 | 1,9 | 50 |
| 32 | 1 1/4" | 20 x 2,0 | 46 | M8 of M10 | 1,9 | 50 |
| 40 | 1 1/2" | 20 x 2,0 | 55 | M8 of M10 | 2,4 | 50 |
| 50 | 2" | 20 x 2,0 | 64 | M8 of M10 | 2,4 | 50 |
| 55 | 2 1/4" | 20 x 2,0 | 71 | M8 of M10 | 2,4 | 50 |
| 63 | 2 1/2" | 20 x 2,0 | 80 | M8 of M10 | 2,4 | 50 |
| 70 | 2 3/4" | 20 x 2,0 | 79 | M8 of M10 | 2,4 | 50 |
| 75 | 3" | 20 x 2,0 | 83 | M8 of M10 | 2,4 | 50 |
| 80 | 3 1/2" | 20 x 2,0 | 87 | M8 of M10 | 2,4 | 50 |
| 90 | 3 3/4" | 20 x 2,0 | 97 | M8 of M10 | 2,4 | 50 |
| 100 | 4" | 20 x 2,0 | 107 | M8 of M10 | 2,4 | 25 |
| 110 | 4 1/2" | 20 x 2,0 | 119 | M8 of M10 | 2,4 | 25 |
| 125 | 5" | 20 x 2,0 | 132 | M8 of M10 | 2,4 | 25 |
| 133 | 5 1/2" | 20 x 2,25 | 142 | M8 of M10 | 2,4 | 25 |
| 140 | 5 3/4" | 20 x 2,25 | 152 | M8 of M10 | 2,4 | 25 |
| 150 | 6" | 20 x 2,25 | 160 | M8 of M10 | 2,4 | 25 |
| 160 | 6 1/4" | 20 x 2,25 | 168 | M8 of M10 | 2,4 | 25 |
| 180 | 7 1/4" | 20 x 2,25 | 192 | M8 of M10 | 2,4 | 25 |
| 200 | 8" | 20 x 2,25 | 208 | M8 of M10 | 2,4 | 25 |
| 225 | 9" | 20 x 2,25 | 223 | M8 of M10 | 2,4 | 25 |
| 250 | 10" | 20 x 2,25 | 254 | M8 of M10 | 2,4 | 25 |

op aanvraag tot 20" leverbaar

Technische Data



Pijpbeugel basismodel electrol. verzinkt

| ∅ Diameter | in " | Bereik in mm | ∅ draad | Gewicht kN | Aantal/zak |
|------------|--------|--------------|---------|------------|------------|
| 15 | 3/8" | 15-19 | M8 | 1,5 | 150 |
| 20 | 1/2" | 20-23 | M8 | 1,5 | 100 |
| 25 | 3/4" | 25-28 | M8 | 1,5 | 100 |
| 32 | 1" | 32-35 | M8 | 1,5 | 75 |
| 40 | 1 1/4" | 40-43 | M8 | 1,5 | 50 |
| 44 | 1 1/2" | 44-49 | M8 | 1,5 | 50 |
| 50 | | 50-55 | M8 | 1,5 | 50 |
| 57 | 2" | 57-61 | M8 | 1,5 | 50 |
| 63 | | 63-68 | M8 | 1,5 | 25 |
| 70 | 2 1/2" | 70-77 | M8 | 1,5 | 25 |
| 80 | | 80-83 | M8 | 1,5 | 20 |
| 83 | 3" | 83-89 | M10 | 1,5 | 20 |
| 93 | | 93-99 | M10 | 2,5 | 20 |
| 101 | | 101-106 | M10 | 2,5 | 20 |
| 108 | 4" | 108-114 | M10 | 2,5 | 20 |
| 123 | | 123-128 | M10 | 2,5 | 20 |
| 131 | 5" | 131-135 | M10 | 3,0 | 20 |
| 140 | | 140-144 | M10 | 3,0 | 20 |
| 159 | 6" | 159-165 | M10 | 3,0 | 20 |
| 200 | | 200-206 | M10 | 3,0 | 15 |
| 210 | 8" | 210-219 | M10 | 3,0 | 10 |

Technische Data



Snelsluitende Pijpbeugel basismodel elect verzinkt

| ∅ Diameter | in " | Bereik in mm | ∅ draad | Materiaal | Gewicht kN | Aantal/zak |
|------------|--------|--------------|-----------|-----------|------------|------------|
| 12 | 1/4" | 12-14 | M8 of M10 | 1,25 x 20 | 0,8 | 150 |
| 14 | | 14-16 | M8 of M10 | 1,25 x 20 | 0,8 | 150 |
| 17 | 3/8" | 17-19 | M8 of M10 | 1,25 x 20 | 0,8 | 100 |
| 20 | 1/2" | 20-23 | M8 of M10 | 1,25 x 20 | 0,8 | 100 |
| 25 | 3/4" | 25-28 | M8 of M10 | 1,25 x 20 | 0,8 | 100 |
| 32 | 1" | 32-35 | M8 of M10 | 1,25 x 20 | 0,8 | 75 |
| 40 | 1 1/4" | 40-43 | M8 of M10 | 1,25 x 20 | 0,8 | 50 |
| 44 | | 44-49 | M8 of M10 | 1,25 x 20 | 0,8 | 50 |
| 50 | | 50-55 | M8 of M10 | 1,25 x 20 | 0,8 | 50 |
| 57 | 2" | 57-61 | M8 of M10 | 1,25 x 20 | 0,8 | 50 |
| 63 | | 63-67 | M8 of M10 | 1,25 x 20 | 0,8 | 50 |
| 74 | 2 1/2" | 74-80 | M8 of M10 | 1,25 x 20 | 0,8 | 25 |
| 90 | | 90-93 | M8 of M10 | 1,25 x 20 | 0,8 | 25 |
| 108 | 4" | 108-114 | M8 of M10 | 1,50 x 20 | 0,8 | 25 |

Technische Data



Pijpbeugel massief met inlage El. verzinkt

| ∅ Diameter | in " | Bereik in mm | ∅ draad | Materiaal | Gewicht kN | Aantal/zak |
|------------|--------|--------------|-----------|-----------|------------|------------|
| 12 | 1/4" | 12-14 | M8 | 1,5 x 20 | 1,5 | 50 |
| 15 | 3/8" | 15-19 | M8 | 1,5 x 20 | 1,5 | 50 |
| 20 | 1/2" | 20-23 | M8 | 1,5 x 20 | 1,5 | 50 |
| 25 | 3/4" | 25-28 | M8 | 1,5 x 20 | 1,5 | 50 |
| 32 | 1" | 32-35 | M8 | 1,5 x 20 | 1,5 | 50 |
| 40 | 1 1/4" | 40-43 | M8 | 1,5 x 20 | 1,5 | 50 |
| 44 | 1 1/2" | 44-49 | M8 | 1,5 x 20 | 1,5 | 50 |
| 48 | | 48-53 | M8 | 1,5 x 20 | 1,5 | 50 |
| 50 | | 50-55 | M8 | 1,5 x 20 | 1,5 | 50 |
| 57 | 2" | 57-61 | M8 of M10 | 2,0 x 20 | 2,0 | 50 |
| 63 | | 63-67 | M8 of M10 | 2,0 x 20 | 2,0 | 25 |
| 70 | | 70-73 | M8 of M10 | 2,0 x 20 | 2,0 | 25 |
| 74 | 2 1/2" | 74-80 | M8 of M10 | 2,0 x 20 | 2,0 | 25 |
| 83 | 3" | 83-91 | M8 of M10 | 2,0 x 20 | 2,0 | 20 |
| 101 | | 101-106 | M8 of M10 | 2,0 x 20 | 2,0 | 20 |
| 108 | 4" | 108-114 | M8 of M10 | 2,0 x 25 | 3,0 | 20 |
| 115 | | 115-116 | M10 | 2,5 x 25 | 3,0 | 20 |
| 123 | | 123-128 | M10 | 2,5 x 25 | 3,0 | 20 |
| 131 | 5" | 131-135 | M10 | 2,5 x 25 | 3,0 | 20 |
| 137 | | 137-142 | M10 | 2,5 x 25 | 3,0 | 20 |
| 159 | 6" | 159-165 | M10 | 2,5 x 25 | 3,0 | 20 |
| 200 | | 200-206 | M10 | 2,5 x 25 | 3,0 | 15 |
| 210 | 8" | 210-219 | M10 | 2,5 x 25 | 3,0 | 15 |